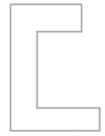


INSTRUCTION MANUAL

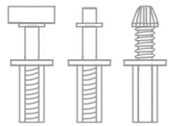
REQUIRED TOOLS:



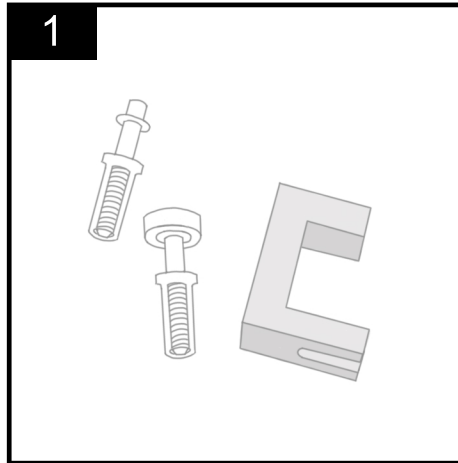
The Pivot Tool



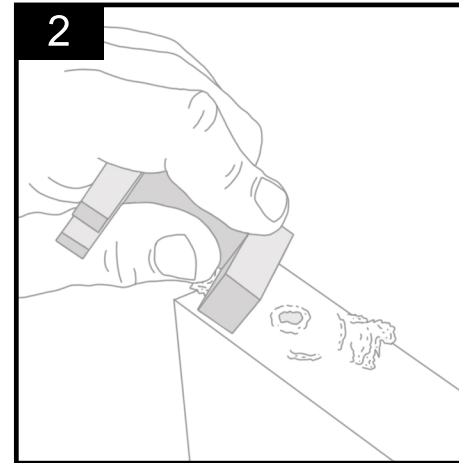
Hammer



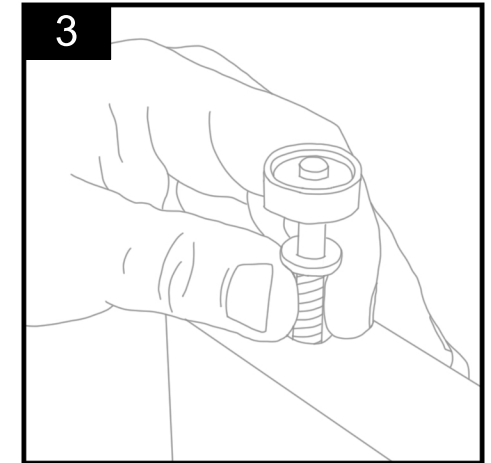
Manufacture pivot guides



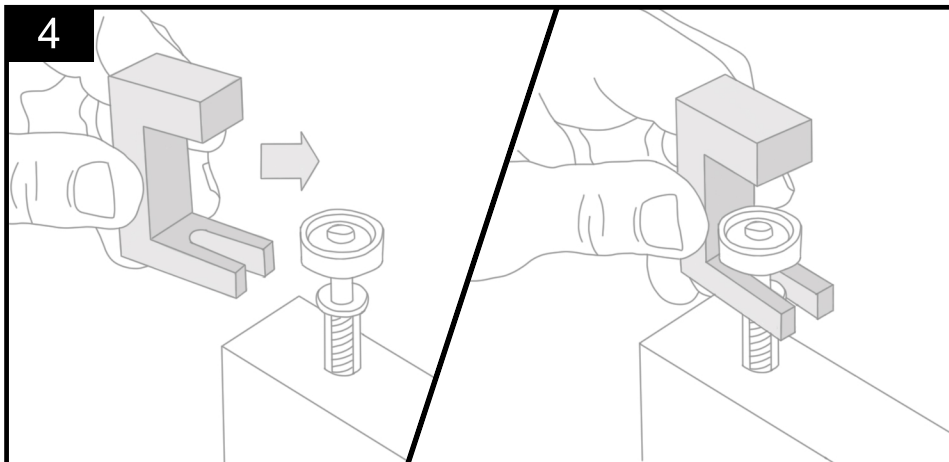
1 Gather The Pivot Tool and manufacture supplied pivot guides.



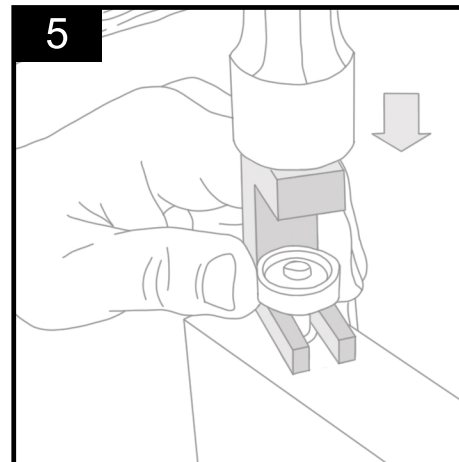
2 If needed, use Pivot Tool to scrape off excess material from around pivot guide hole.



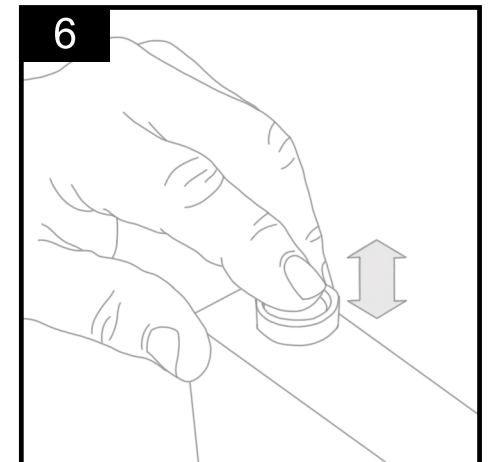
3 Insert the pivot guide into the hole.



4 Position Pivot Tool over the pivot guide.



5 Strike the top of the Pivot Tool with a hammer to drive the guide down into the door until it is seated completely.



6 Ensure the pivot guide travels up and down freely once it is fully installed. Repeat instructions for the other pivot guide on opposite door panel.